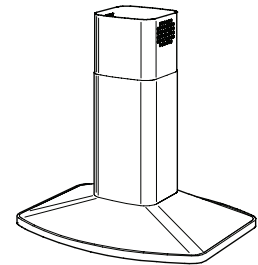


### E54000 SERIES RANGE HOOD



Clean, contemporary style, with a soft-touch, will make this free-hanging island hood a beautiful focal point in any kitchen.

#### FEATURES

- Professional style design
- 430 stainless steel #4 brushed construction
- Island mount installation
- Ducted/non-ducted telescopic flue - fits 8 ft. to 9 ft. ceilings
- 6" round duct connector/backdraft damper
- 480 cfm centrifugal blower
- Three-speed slide control
- Halogen lighting (4 x 20 W, Type JC 12V 20 W, G4 base - bulbs included)
- Dishwasher-safe aluminum filter features a quick-release latch and professional style appearance
- Available size: 27-9/16" x 35-7/16"
- Heat Sentry - automatically turns blower to high speed when excess cooking heat is detected

#### OPTIONS

- Replacement aluminum grease filters available (B08087294)
- Non-ducted recirculation kit (Model RK54)
- Replacement charcoal filter (Model FILTERSQUARE)
- Flue extension for 10 ft. ceiling, model FX54SS (ducted applications), model FXN54SS (non-ducted applications) (36-5/8" long)

#### SPECIFICATIONS

VOLTS	AMPS	CFM	SONES	DUCT
120	3.56	(HIGH) 480	9.5	6" round
		(LOW) 230	3.0	



#### TYPICAL SPECIFICATION

Range hood shall be Broan E54000 Series.

Unit shall be convertible between ducted (using a washable aluminum filter) and non-ducted (using a recirculation kit).

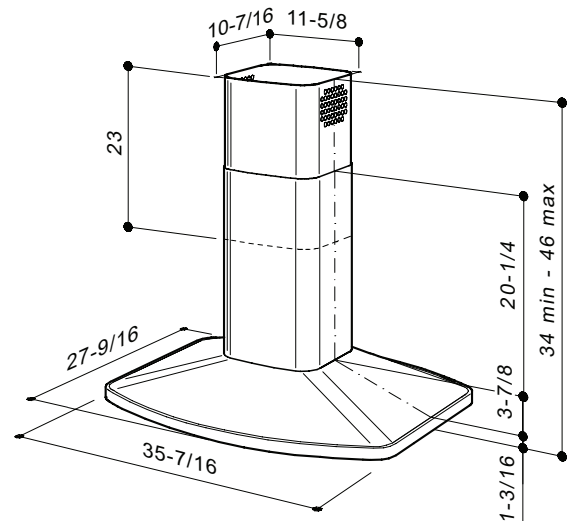
Motor to be permanently lubricated.

Unit shall have three-speed fan switch and separate light switch.

Air delivery shall be no less than 480 CFM.

Unit shall be U.L. and cUL listed.

Dimensions below are in inches.

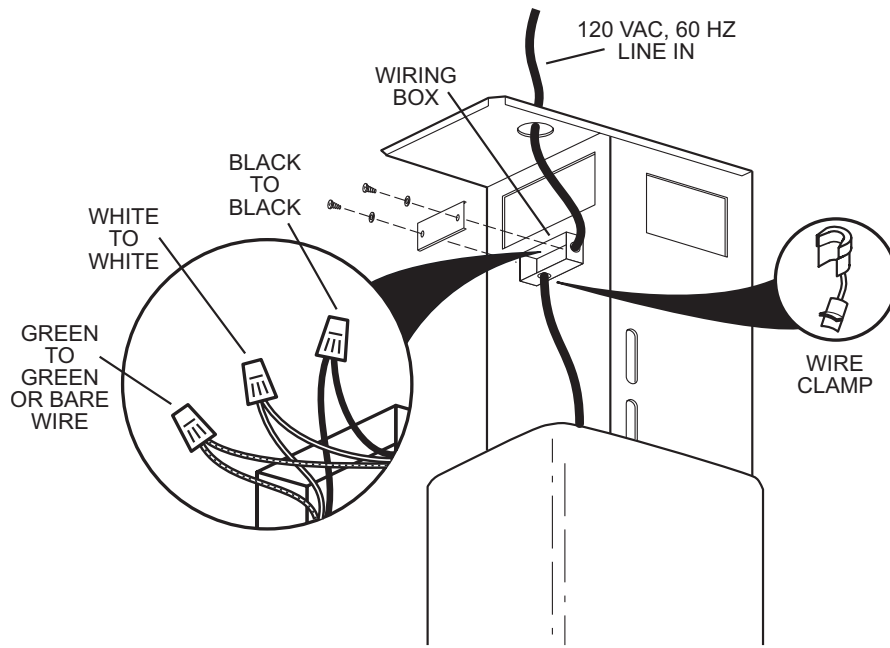


HVI-2100 CERTIFIED RATINGS comply with new testing technologies and procedures prescribed by the Home Ventilating Institute, for off-the-shelf products, as they are available to consumers. Product performance is rated at 0.1 in. static pressure, based on tests conducted in AMCA's state-of-the-art test laboratory. Sones are a measure of humanly-perceived loudness, based on laboratory measurements.

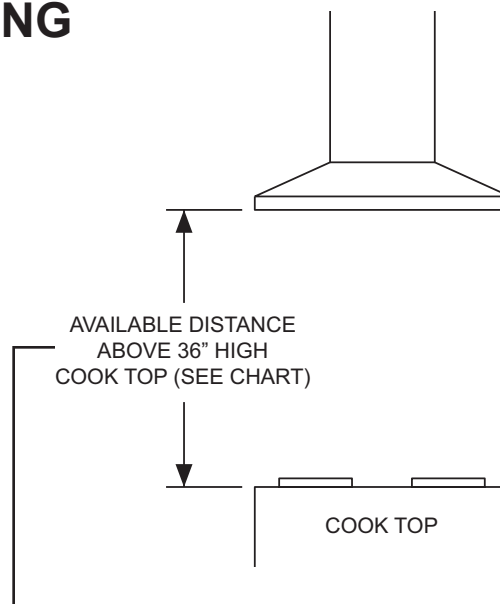
Broan-NuTone LLC, 926 West State Street, Hartford, WI 53027 (1-800-637-1453)  
Broan-NuTone Canada, Inc., 1140 Tristar Drive, Mississauga, Ontario, L5T 1H9 (1-888-882-7626)

REFERENCE	QTY.	REMARKS	Project
			Location
			Architect
			Engineer
			Contractor
			Submitted by Date

# E54000 SERIES WIRING



# E54000 SERIES MOUNTING



CEILING HEIGHT	DUCT METHOD	HOOD DISTANCE ABOVE 36" HIGH COOK TOP (see note a)						
		24"	25"	26"	27"	28"	29"	30"
8-FOOT	DUCTED	X	X	X				
	NON-DUCTED	X	X	X	X	X		
9 FOOT	DUCTED AND NON-DUCTED			X	X	X	X	X
10-FOOT (see note b)	DUCTED AND NON-DUCTED	X	X	X	X	X	X	X

## NOTES:

- Minimum hood distance above cooktop must not be less than 24".  
A maximum of 30" above the cooktop is highly recommended for best capture of cooking impurities.  
Distances over 30" above the cooktop are at the installer's and user's discretion - providing that ceiling height and flue length permit.
- Requires optional 10-foot flue extension model FX54SS (ducted) or FXN54SS (non-ducted).

**BROAN** *Elite*