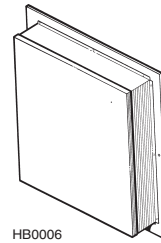


### BROAN *ELITE* EXTERIOR BLOWERS 331 & 332 MODELS



HB0006

Use this high-powered ventilator to quietly and efficiently exhaust airborne contaminants from cooking and living space.

#### FEATURES

- Exterior mounted, brushed aluminum construction
- Built-in flashing plate for roof or wall mount
- Built-in backdraft damper and birdscreen
- Easily removable cover provides quick access to blower for cleaning and servicing
- Use with 10" (254 mm) round duct (purchase separately)
- Thermally protected, permanently lubricated motor
- Speed control compatible motor
- Neoprene resilient anti-vibration mounted motor
- Dynamically balanced 10 3/4" (273 mm) blower wheel
- Low RPM – quiet operation
- Requires 332KR Rough-in Kit model (purchase separately)
- For use with Broan Elite Range Hoods RM60000 Series, 64000 Series, EX Series, E662E, RMPE Power Pack and RMIP Insert

#### TYPICAL SPECIFICATION

Ventilator shall be Broan Elite 331 or 332 model.

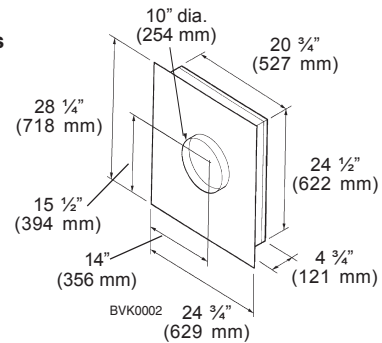
Ventilator shall be roof (exterior wall) mountable with a 10" (254 mm) round duct connector.

Ventilator shall be of aluminum construction.

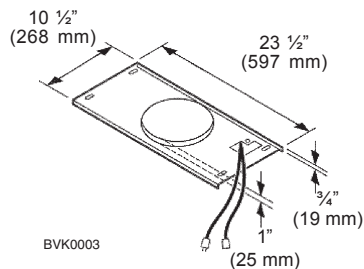
Ventilator shall include an automatic backdraft damper.

Air delivery shall be no less than 600 CFM (283 L/s) 331 model, 900 CFM (425 L/s) 332 model, as certified by HVI.

#### Exterior Blowers 331 & 332 models



#### Exterior Blower Rough-in Kit 332KR Model



HVI-2100 CERTIFIED RATINGS comply with new testing technologies and procedures prescribed by the Home Ventilating Institute, for off-the-shelf products, as they are available to consumers. Product performance is rated at 0.1 in. static pressure, based on tests conducted in AMCA's state-of-the-art test laboratory. Sones are a measure of humanly-perceived loudness, based on laboratory measurements.



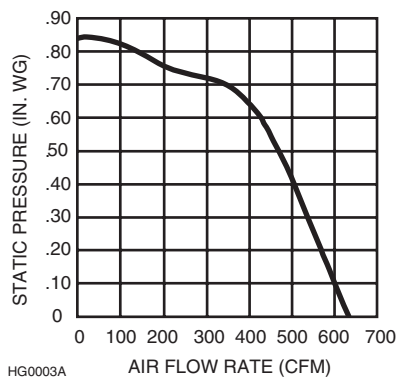
Broan-NuTone LLC, 926 West State Street, Hartford, WI 53027 (1-800-637-1453)  
Broan-NuTone Canada Inc., Mississauga, Ontario, Canada L5T 1H9 (1-888-882-7626)

REFERENCE	QTY.	REMARKS	Project
			Location
			Architect
			Engineer
			Contractor
			Submitted by      Date

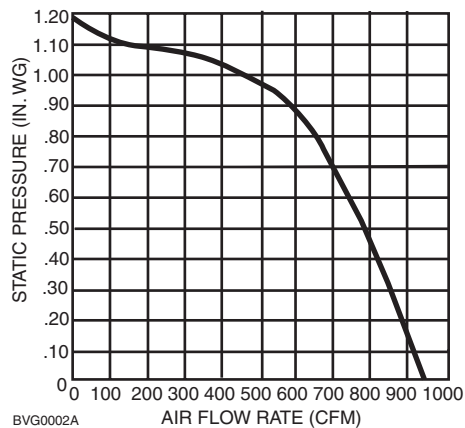
# PERFORMANCE RATINGS

---

## EXTERIOR BLOWER 331 MODEL



## EXTERIOR BLOWER 332 MODEL



## SPECIFICATIONS

---

Model	Volts	Amps	CFM (L/s)	Duct (mm)
331	120	2.3	600 (283)	10" round (254)
332	120	5.8	900 (425)	10" round (254)