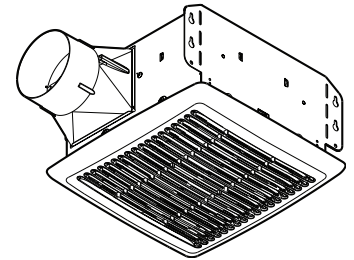


# MODEL AE50110DCS FLEX DC™ SERIES HUMIDITY SENSING FAN



A modern-styled, high performance fan, with sensing circuitry, that "knows" when to ventilate the room.

### FEATURES

#### BLOWER:

- Plug-in, permanently lubricated, brushless DC motor - engineered for continuous operation
- Dynamically balanced centrifugal blower wheel for quiet, efficient performance
- Low RPM for quiet operation
- Selectable settings of 50, 80 or 110 CFM

#### HOUSING:

- Rugged, 26 gauge, galvanized steel construction
- Polymeric, 4" damper / duct connector with tapered sleeve and no metallic clatter
- 5-3/4" height allows for 2" x 6" ceiling installations
- Sturdy, easy, four-point mounting directly to joist
- Optional snap-on flange kit

#### GRILLE:

- Polymeric construction
- Innovative design - the result of extensive research with designers and consumers

#### AUTOMATIC CONTROL:

- Humidity control automatically turns fan ON when either of these conditions is detected:
  - a rapid to moderate (user adjustable) increase of humidity
  - humidity above user-adjustable set-point (50%-80% RH)
- Two wire manual operation for odor control - Turns fan ON when power line through wall switch is cycled ON, OFF and back ON
- Remains ON for a user-adjustable 5 to 60 minutes after humidity has stabilized and is below set-point or after manually initiated through power line cycling
- Saves energy because unit runs only for the time required. A unit controlled with a wall timer may keep fan ON longer than required or turn it OFF before room is sufficiently ventilated

U.L. Listed for use over bathtubs and showers when connected to a GFCI protected branch circuit (ceiling mount only)

Acceptable for use in insulated ceilings (Type I.C.)

3-Year Warranty

### TYPICAL SPECIFICATION

Fan shall be Broan Model AE50110DCS.

Fan shall have corrosion resistant galvanized steel housing with four-point mounting capability. It shall be ducted to a roof or wall cap using 4" round ductwork.

Blower assembly shall be removable, have a centrifugal blower wheel and a permanently lubricated brushless DC motor designed for continuous operation.

Non-metallic damper/duct connector shall be included.

Air delivery shall be no less than the airflow values and no greater than the sound level values listed in the HVI Performance Ratings provided in this specification (see following chart). All air and sound ratings shall be certified by HVI.

Fan shall be acceptable for use in insulated ceilings (Type I.C.) and U.L. Listed for use over bathtubs and showers when connected to a GFCI protected branch circuit.



Broan Hartford, Wisconsin www.broan.com 800-558-1711  
Venmar Ventilation ULC Drummondville (Quebec), Canada www.broan.ca 877-896-1119

RÉFÉRENCE	QTÉ	REMARQUES	Projet
			Emplacement
			Architecte
			Ingénieur
			Entrepreneur
			Soumis par <span style="float: right;">Date</span>

# PERFORMANCE RATINGS - MODEL AE50110DCS FLEX DC™ SERIES HUMIDITY SENSING FAN

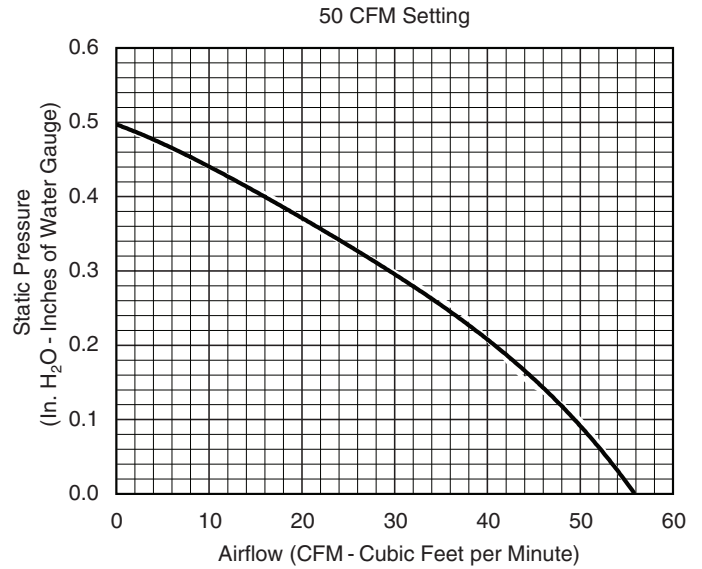
## HVI PERFORMANCE

Speed Setting	Static Pressure (In. H <sub>2</sub> O)	Airflow (CFM)	Sound (Sones)	Power (Watts)	Efficacy (CFM/W)
50	0.1	50	< 0.3	3.4	14.7
	0.25	36	0.5	5.3	6.7
80	0.1	80	0.4	6.5	12.6
	0.25	71	0.9	9.4	7.6
110	0.1	110	0.9	10.6	10.4
	0.25	105	1.4	14.9	7.0



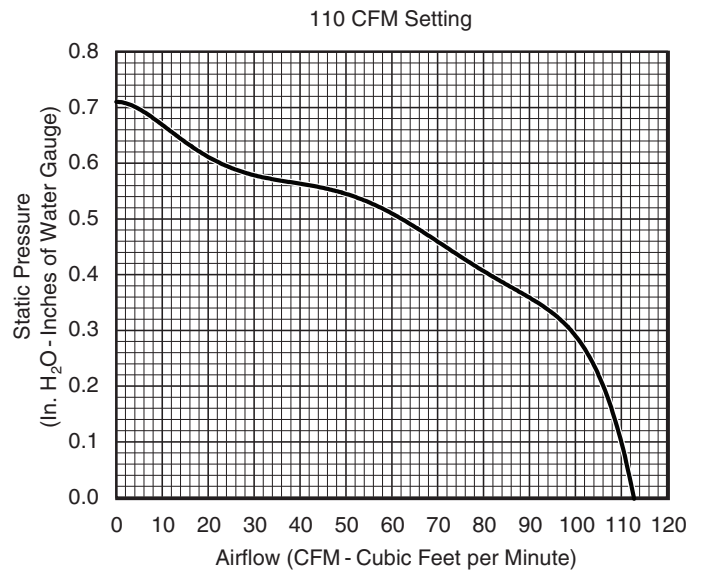
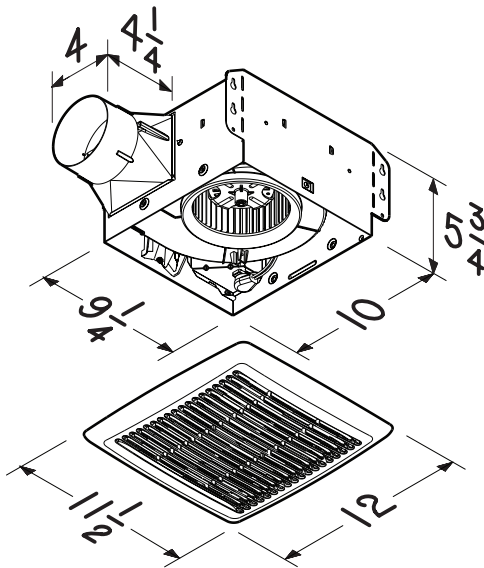
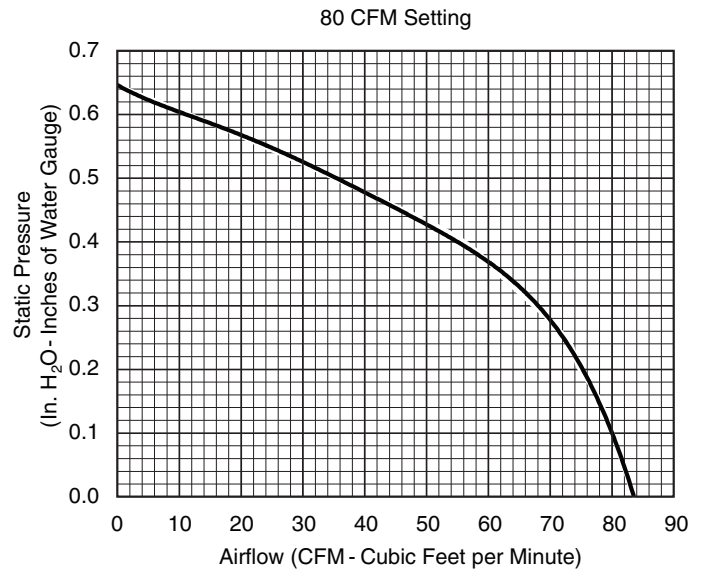
HVI-2100 CERTIFIED RATINGS comply with new testing technologies and procedures prescribed by the Home Ventilating Institute, for off-the-shelf products, as they are available to consumers. Product performance is rated at 0.1 in. static pressure, based on tests conducted in a state-of-the-art test laboratory. Sones are a measure of humanly-perceived loudness, based on laboratory measurements.

## AIR FLOW PERFORMANCE



## ELECTRICAL & WEIGHT

Volts	Hz	Amps	Shipping Weight
120	60	0.2	8.5 lb.



Broan Hartford, Wisconsin [www.broan.com](http://www.broan.com) 800-558-1711  
 Venmar Ventilation ULC Drummondville (Quebec), Canada [www.broan.ca](http://www.broan.ca) 877-896-1119