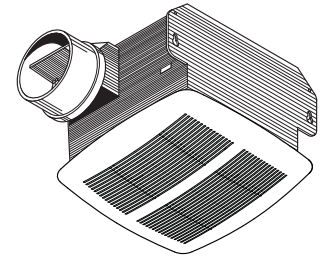


MODELS 770 AND 784 VENTILATION FANS



Quiet ventilator built with high performance blower and attractive grille.

FEATURES

GRILLE:

- Engineered resin construction
- Low-profile blends well with any decor
- Torsion spring grille mounting - no tools required

BLOWER:

- Pug-in, permanently lubricated motor
- Designed for continuous operation

HOUSING:

- Rugged, 26-gauge galvanized steel construction
- Integral key-holed mounting brackets for easy, secure installation directly to joist
- Provision for wire suspension when installed in a drop ceiling
- 4-inch round, tapered, polymeric duct fitting with built-in backdraft damper for easy, positive duct connection and no metallic clatter

cULus listed for use over bathtubs and showers when connected to a GFCI protected branch circuit.

784 unit only is ENERGY STAR® qualified.

TYPICAL SPECIFICATION

Fan shall be Broan Model 770 (784).

Unit shall have galvanized steel housing with integral mounting brackets. Unit shall have built-in backdraft damper and shall be ducted to a roof or wall cap.

Motor to be permanently lubricated and designed for continuous operation.

Air delivery shall not be less than 50 (80) CFM and sound level no greater than 1.5 (2.0) sones. All air and sound ratings shall be certified by HVI.

Unit shall be cULus listed for use over bathtubs and showers when connected to GFCI protected branch circuit.

784 unit only shall be ENERGY STAR® qualified.



HVI-2100 CERTIFIED RATINGS comply with new testing technologies and procedures prescribed by the Home Ventilating Institute, for off-the-shelf products, as they are available to consumers. Product performance is rated at 0.1 in. static pressure, based on tests conducted in AMCA's state-of-the-art test laboratory. Sones are a measure of humanly-perceived loudness, based on laboratory measurements.



784 unit only is ENERGY STAR® qualified.

Broan-NuTone LLC Hartford, Wisconsin www.broan.com 1-800-558-1711
Broan-NuTone Canada ULC, Mississauga, Ontario www.broan.ca 1-888-882-7626

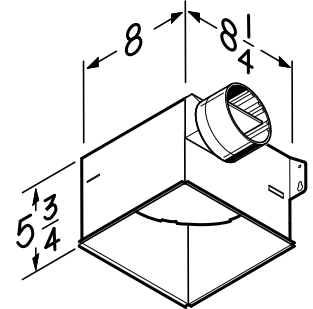
REFERENCE	QTY.	REMARKS	Project	
			Location	
			Architect	
			Engineer	
			Contractor	
			Submitted by	Date

PERFORMANCE RATINGS

MODELS 770 AND 784 VENTILATION FANS

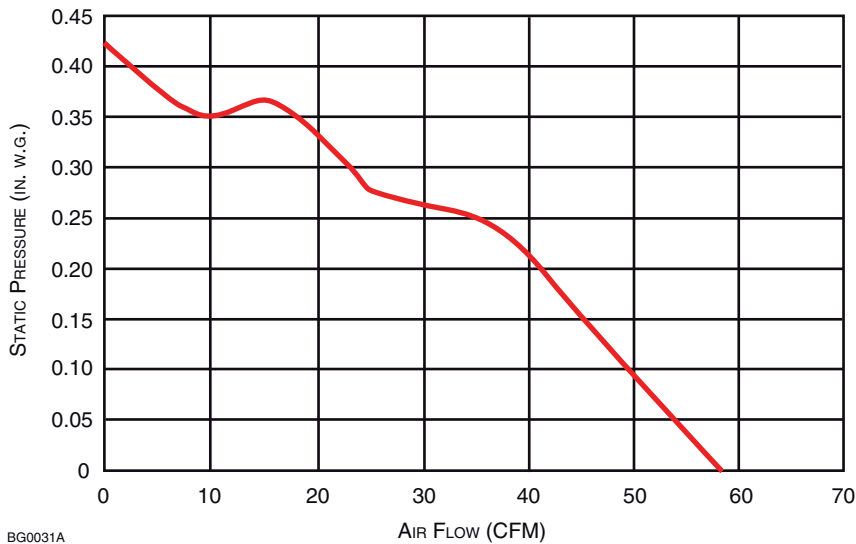
SPECIFICATIONS

Model	Volts	Amps	Static Pressure	CFM	Sones	Fan Watts	Duct
770	120	0.2	0.10	50	1.5	17.5	4" Round
			0.25	35			
784	120	0.3	0.10	80	2.0	26.1	4" Round
			0.25	65			



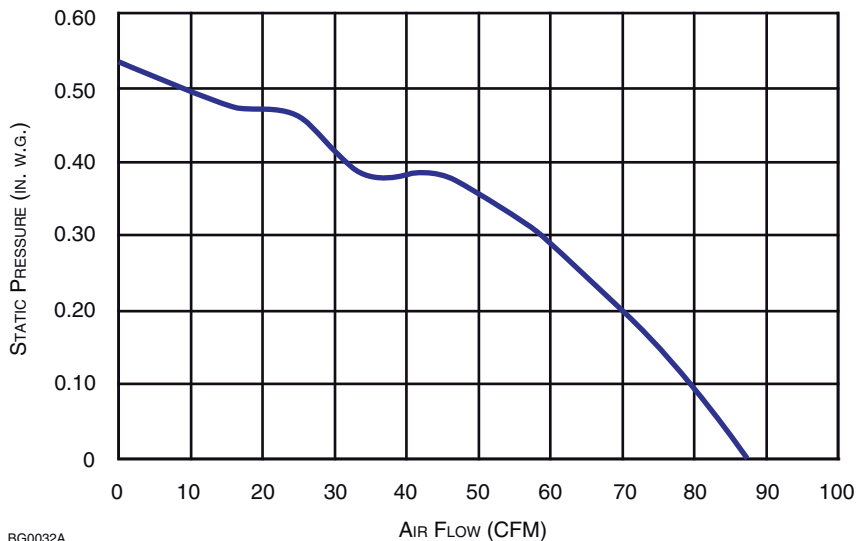
AIR FLOW PERFORMANCE

MODEL 770

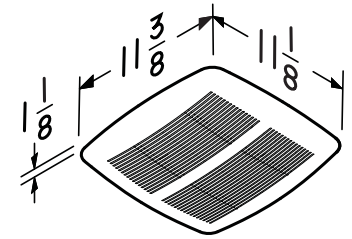


BG0031A

MODEL 784



BG0032A



BK0034

NOTE: Dimensions shown are in inches.