

The slim and refined lines of Sahale bring a refreshing change to today's kitchens. Bright LED lighting complements your cooking experience and two fan speeds make cooking more enjoyable. The LED modules included with this hood are the latest in LED cooktop illumination technology specially designed to operate in the elevated temperatures of cooking - offering bright lighting and lasting up to 25 times as long as a standard bulb and greater reliability than typical replacement LED bulbs.

SIZE	WHITE	STAINLESS	GREASE FILTERS (replacement)	NON-DUCTED FILTERS
30 in.	BKSF130WW	BKSF130SS	HPFA130 (Type C1)	HPF30 (Type Xc)

PERFORMANCE						
Duct Orientation	Size	Damper	Sones		CFM	
			Normal	High	Normal	High
Vertical - Rectangular	3¼ in. x 10 in.	Included	1.5	5.0	140	230
Horizontal - Rectangular	3¼ in. x 10 in.	Included	1.5	5.0	110	210
Round - Vertical	7 in.	Sold Separately	1.5	5.0	150	250

FEATURES	
Control type	2-speed Rocker
Delay off	no
Filter Clean Reminder	no
Heat Sentry™	no
ADA Capable	yes
Lighting	1-level LED (included)
Grease Filters	Open Mesh (Qty. 2)
Installation Hardware	EZ1 brackets
ENERGY STAR®	no
Recirculation	Non-ducted filters sold separately

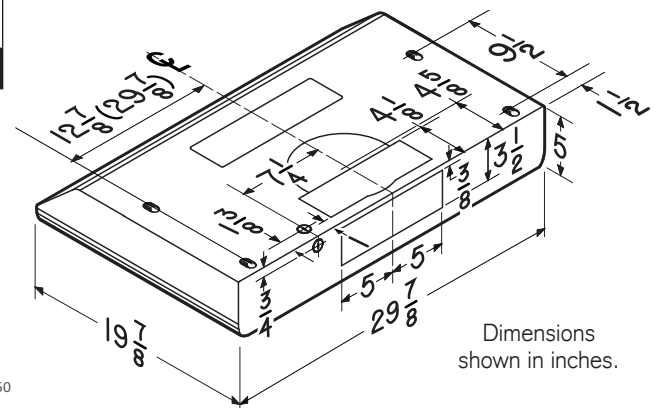
AC INPUT	
120 V, 60 Hz - 0.65 AMPS	

OPTIONAL ACCESSORIES	
7-in. Round Damper	BP87Q
7-in. Round Adapter Plate	SR680508
Make-up Air Dampers	MD6TU, MD8TU and MD10TU

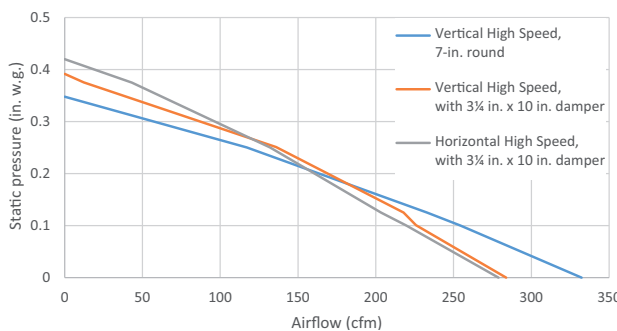
MOUNTING HEIGHT	
18 in. to 24 in. from cooktop to bottom of hood	

LIMITED WARRANTY	
1-year	
3-year (LED modules only)	
<i>(See installation manual for full warranty text.)</i>	

FOR INDOOR USE ONLY



Dimensions shown in inches.



HVI-2100 CERTIFIED RATINGS comply with new testing technologies and procedures prescribed by the Home Ventilating Institute, for off-the-shelf products, as they are available to consumers. Product performance is rated at 0.1 in. static pressure, based on tests conducted in AMCA's state-of-the-art test laboratory. Sones are a measure of humanly-perceived loudness, based on laboratory measurements.

99045752B