

### Broan Elite EPD61 Outdoor Hood

Flue covers are available in corrosion resistant stainless steel and attach to the top of the range hood shell. Flue covers come in 6", 18" and 30" heights. Deeper flue covers are also available for hoods using the 3" wall extension.



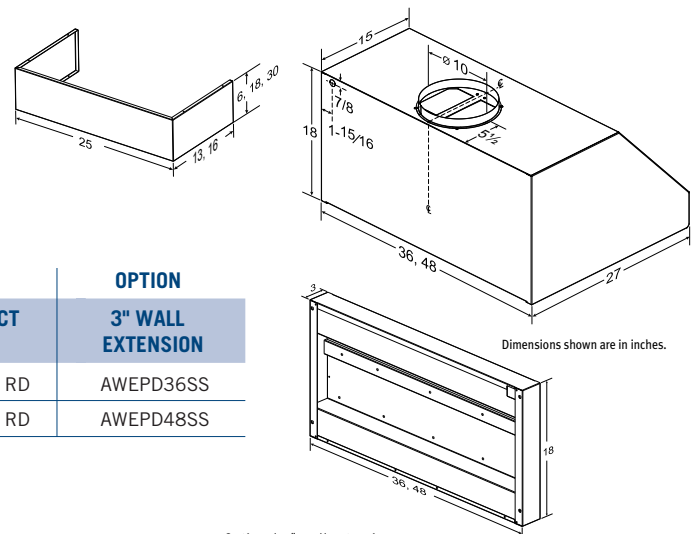
- Professional outdoor design
- 27" depth to handle heat and size of outdoor grills (optional 3" wall extension)
- Brushed corrosion resistant stainless steel
- Two widths: 36" and 48"
- Powerful 1100 CFM internal blower
- Bright halogen lighting (bulbs not included); two in 36", three in 48" model
- 3-speed rotary control designed to resist the effects of heat and moisture
- Stainless steel baffle filters
- Heat Sentry™ detects excessive heat and adjusts blower speed accordingly
- HVI certified

#### SPECIFICATIONS

WIDTH	STAINLESS STEEL	BLOWER	VOLT	AMP	CFM	SONES	DUCT	OPTION
36"	EPD6136SS	Internal	120	9.0 Max.	1100	11.0	10" RD	AWEPD36SS
48"	EPD6148SS	Internal	120	9.0 Max.	1100	11.0	10" RD	AWEPD48SS

#### FLUE COVER SPECIFICATIONS (OPTION)

HEIGHTS	FLUE COVER (STANDARD DEPTH)	FLUE COVER (EXTENDED DEPTH)
6" for 8' ceiling	AEEP6SS	AEEP6SSE
18" for 9' ceiling	AEEP18SS	AEEP18SSE
30" for 10' ceiling	AEEP30SS	AEEP30SSE



Optional 3" wall extension creates 30" depth for even greater coverage

