



EZ Fit Ventilation Fan

Eliminate foggy mirrors, moisture and odors faster and more efficiently with the new ENERGY STAR® qualified EZ Fit Ventilation Fan. Up to 40% more powerful and up to 65% quieter* than your existing bath fan, EZ Fit has been engineered for fast and easy installation and allows you to easily replace your existing fan without having to access your attic or replace any ducting in less than 40 minutes.

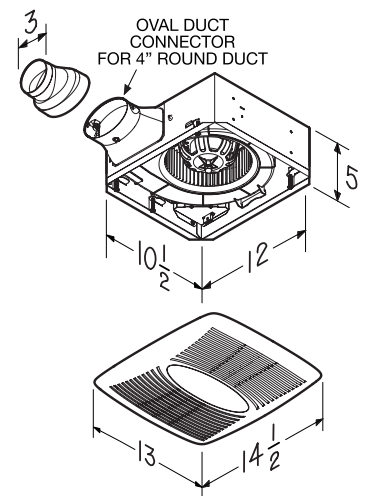
*Installed performance compared to typical installed fans

- Simplified installation: Easily replace your existing fan in 40 minutes entirely from the room-side
- EZLock tabs secure fan directly to drywall eliminating need for joist/truss mounting
- EZConnect wiring connectors eliminate clumsy wire nuts
- EZDuct connector allows attachment of existing duct from inside housing so no need to go in the attic
- EZHold pre-installed blower attachment screws mean no third hand is needed
- 80 CFM, 1.1 Sones
- ENERGY STAR® qualified
- Slim housing design fits in virtually all ceiling spaces
- cULus listed for use over bathtubs or showers when connected to a GFCI protected branch circuit

SPECIFICATIONS

| MODEL | CFM* at 0.1" SP** | L/s*** at 0.1" SP | SONES at 0.1" SP | VOLTS | AMPS | SHIPPING WEIGHT | DUCT SIZE |
|-------|----------------------|----------------------|---------------------|-------|------|--------------------|---|
| EZ80C | 80 | 37.8 | 1.1 | 120 | 0.3 | 9.6 | 4" or 3" (with 4" oval to 3" round reducer) |

*Cubic feet per minute, **Static pressure, ***Litres per second



DIMENSIONS SHOWN ARE IN INCHES.

